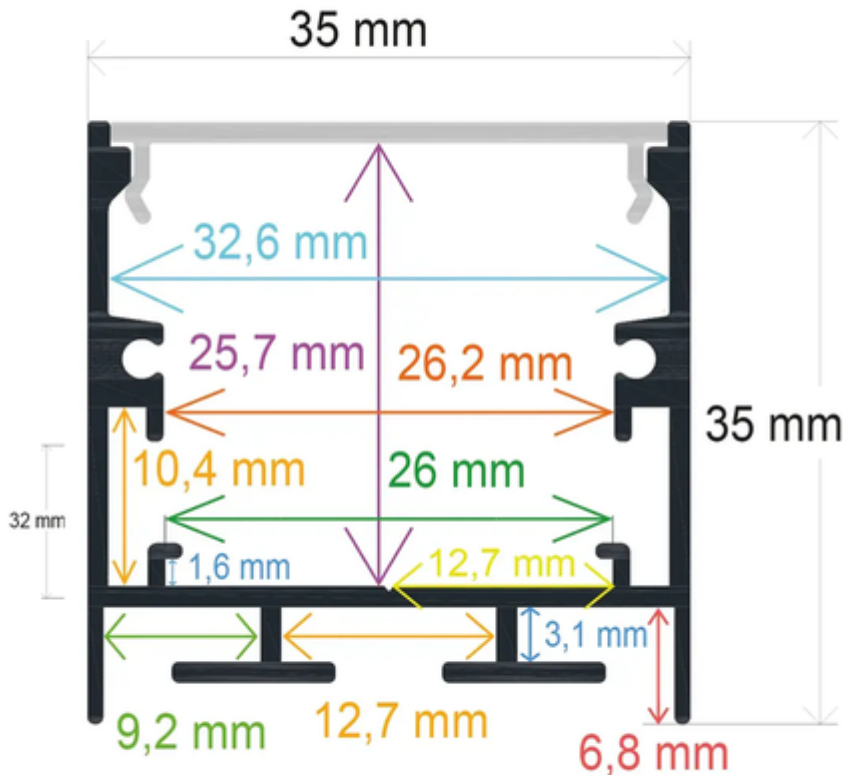


Illuminate Your Space: Discover the Ultimate Aluminum Profiles for LED Lighting!

In the world of modern lighting solutions, [aluminum profiles for LED lighting](#) have become indispensable. These profiles serve as the backbone for LED installations, enhancing not only the functionality but also the aesthetic appeal of any space. Aluminum profiles are designed to hold LED strips securely, allowing for efficient heat dissipation and a sleek finish that elevates the overall look of your lighting setup. Their durability ensures longevity, making them a smart investment for both residential and commercial applications. In this article, we'll explore the various types of aluminum profiles available, their benefits, and what to consider when choosing the right one for your needs, setting the stage for a brighter, more stylish environment.



Understanding Aluminum Profiles for LED Lighting

Aluminum profiles are specially designed extrusions that provide a framework for LED lighting installations. These profiles come in various shapes and sizes, making them versatile for numerous applications. Whether you're looking to create ambient lighting in your home or functional lighting in a commercial setting, there's an aluminum profile that fits the bill. Common types include surface-mounted profiles, which are affixed directly to walls or ceilings, recessed profiles that are embedded into surfaces for a seamless look, and corner profiles that allow for creative lighting solutions in tight spaces. Each type serves a unique purpose, making it essential to understand their functionalities for effective use.

Benefits of Using Aluminum Profiles

One of the most significant advantages of aluminum profiles is their ability to enhance energy efficiency. By providing proper ventilation, they help dissipate heat generated by LED lights, thereby extending the lifespan of the bulbs. Additionally, aluminum is lightweight yet sturdy, making installation a breeze. Many of my friends who have undertaken DIY lighting projects have expressed how easy it was to work with these profiles; they can be cut to size and fitted without requiring specialized tools. Furthermore, aluminum profiles can dramatically elevate the aesthetics of a space. Available in various finishes, they can complement any interior design style, from modern minimalist to rustic charm, providing a polished look that enhances the overall ambiance.

Factors to Consider When Choosing Aluminum Profiles

When selecting aluminum profiles for your LED lighting needs, there are several key factors to keep in mind. First and foremost is the size and shape of the profile, which should align with the dimensions of your LED strips and the specific application. Compatibility is crucial; ensure that the profile can accommodate the type of LED lighting you plan to use. Additionally, consider the intended installation environment. For outdoor applications, look for profiles that offer greater durability and weather resistance. Indoor installations might prioritize aesthetic appeal and ease of access for maintenance. Lastly, always think about your design vision—whether you're aiming for subtle illumination or a dramatic effect, the right profile can make all the difference.

Comparing Different Types of Aluminum Profiles

There are several styles of aluminum profiles available, each catering to different lighting needs. Surface-mounted profiles are perfect for straightforward installations where you want to highlight a specific area. Recessed profiles provide a clean, integrated look, ideal for modern interiors where you want the light to appear as if it's coming from nowhere. Corner profiles are fantastic for creating visual interest in spaces with tight angles, allowing for creative lighting designs. Each type has its unique features and applications, and understanding these differences will help you choose the profile that best suits your project. Some of my friends have experimented with different styles and discovered how each can drastically transform a room's atmosphere based on the lighting direction and intensity.

Transform Your Lighting with Aluminum Profiles

In summary, aluminum profiles for LED lighting are a vital component in achieving efficient, effective, and aesthetically pleasing lighting solutions. By understanding the different types available and the advantages they offer, you can make informed decisions that cater to your specific needs and preferences. Whether you're upgrading your home or designing a commercial space, the right aluminum profile can significantly enhance your lighting design while ensuring the longevity of your LED lights. As you consider your options, remember that the perfect profile can truly transform your space, creating an inviting and well-lit environment that showcases the beauty of your interior.